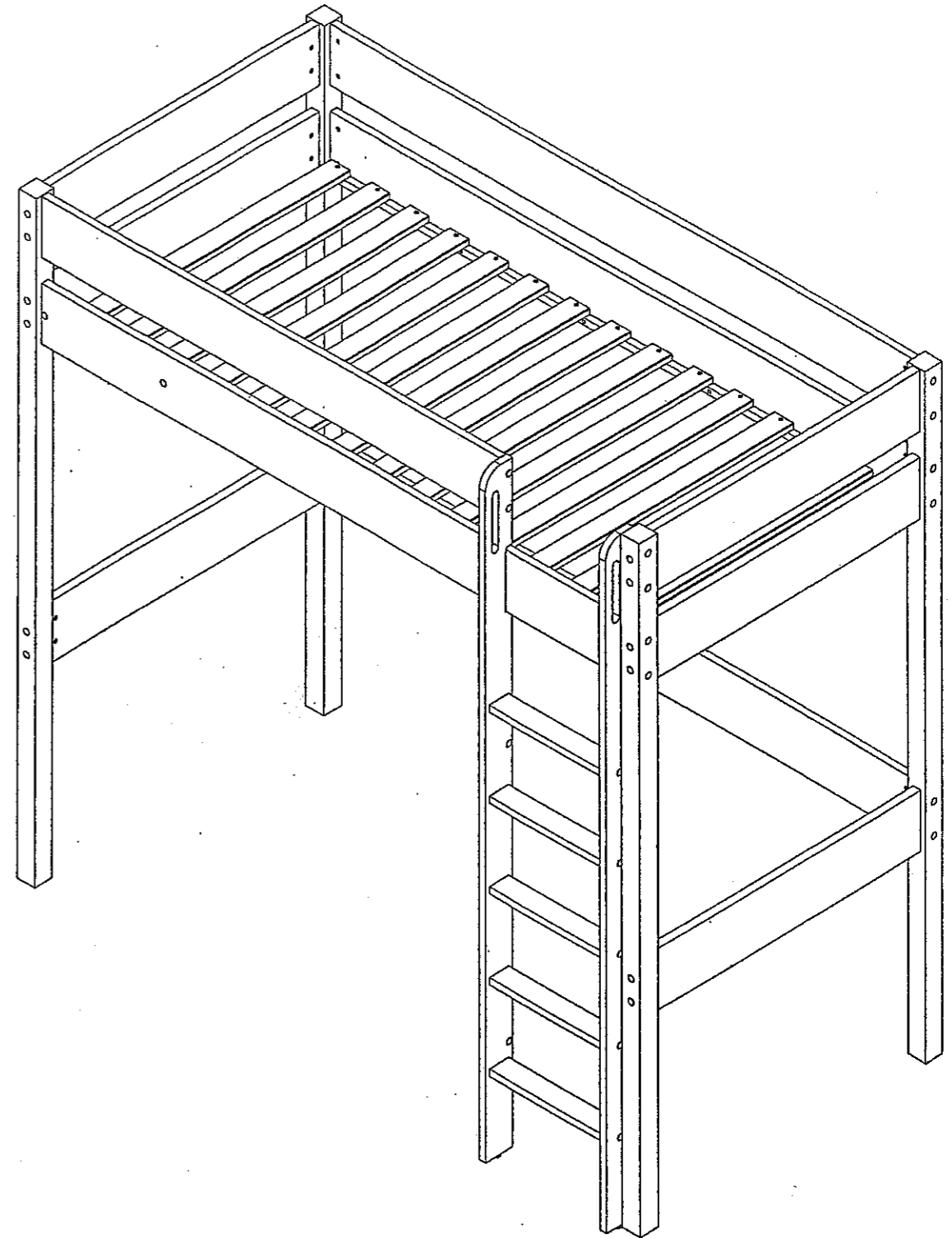


ASSEMBLY INSTRUCTION

MODEL : MODENA HIGH SLEEPER (915 x 1905)MM - BS EN 747-1:2012 +A1:2015



WARNING I

The packaging and contents can be a choking hazard, therefore keep them away from small children and babies as they may choke on them.

! Safe and Care Advice

Important - Please read these instructions fully before starting assembly

- Check you have all the components and tools listed.
- Remove all fittings from the plastic bags and separate them into their groups.
- Keep children and animals away from the work area, small parts could choke if swallowed.
- Make sure you have enough space to lay out the parts before starting.
- Do not stand or put weight on the product, this could cause damage.
- Assemble the item as close to its final position (in the same room) as possible.
- Assemble on a soft level surface to avoid damaging the unit or your floor.
- Parts of the assembly will be easier with 2 people.



- We do not recommend the use of power drills/drivers for inserting screws as this could damage the unit. Only use hand screwdrivers.

- Dispose all packaging carefully and responsibly.

Glue safety - Take care when using glue, please follow the advise below

- Skin contact : Remove contamination by washing with soap and water. This procedure should also be followed prior to eating and drinking.
- Eye contact : Rinse immediately with clean water for 15 minutes and seek medical advise.
- If swallowed : Seek medical advise immediately.

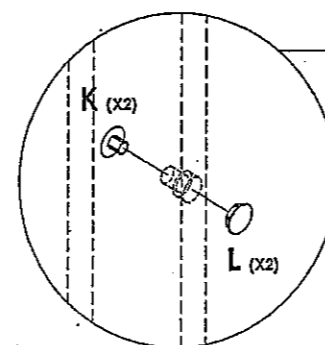
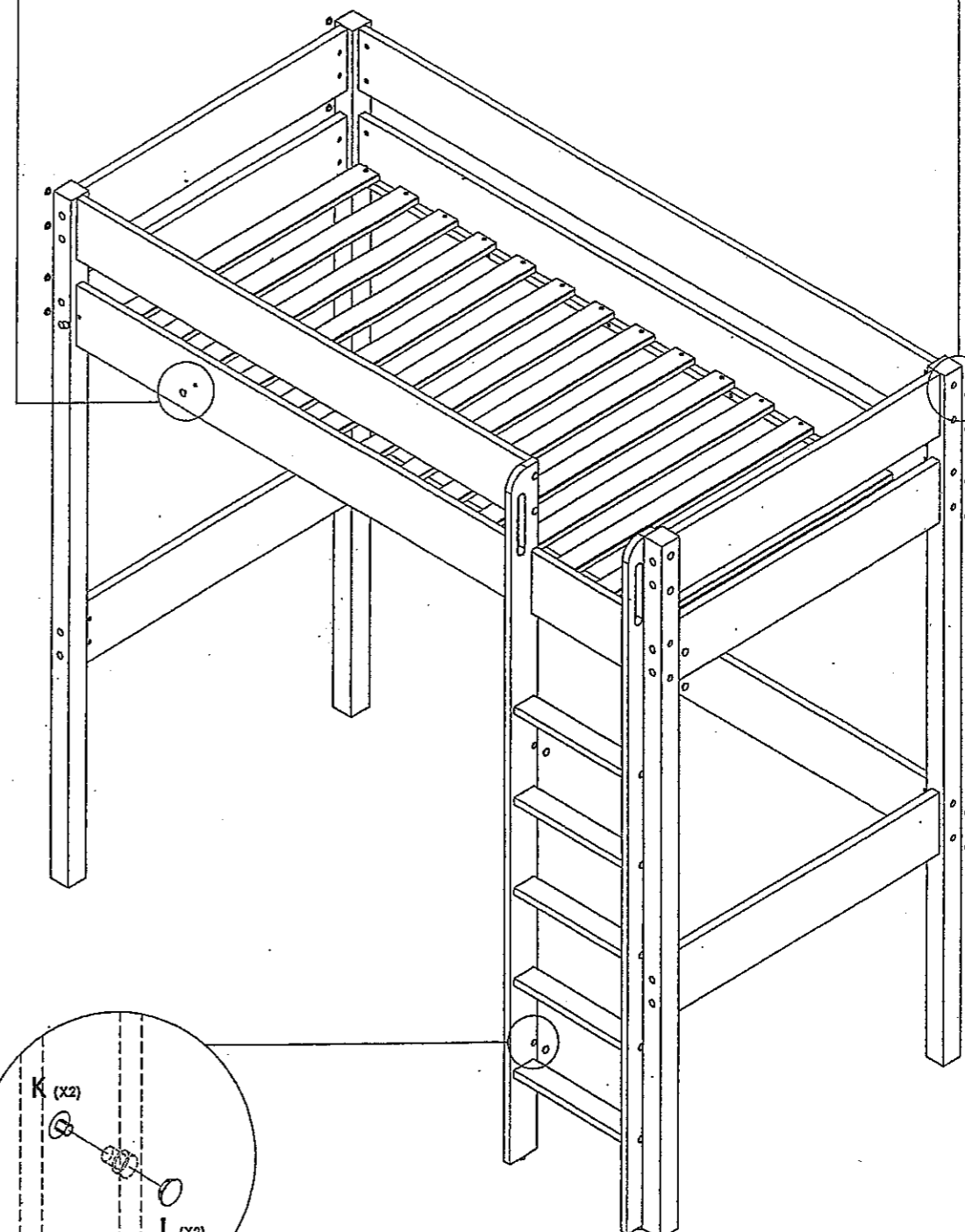
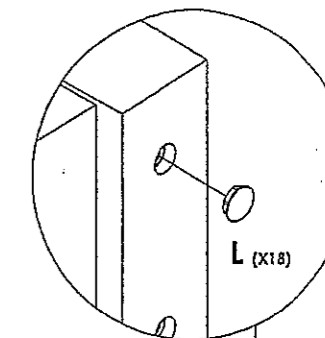
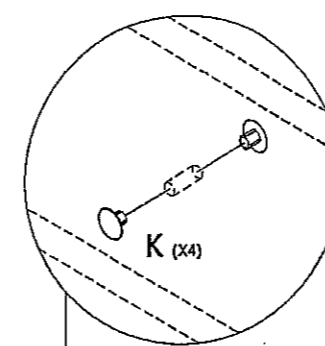
Care and maintenance

- Only clean using a damp cloth and mild detergent, do not use bleach or abrasive cleaners.
- From time to time check that there are no loose screws on this unit.
- This product should not be discarded with household waste. Take to your local authority waste disposal center.

BS EN 747-1:2012+A1:2015 SAFETY WARNINGS AND GENERAL NOTES: IMPORTANT - READ CAREFULLY - RETAIN FOR FUTURE REFERENCE

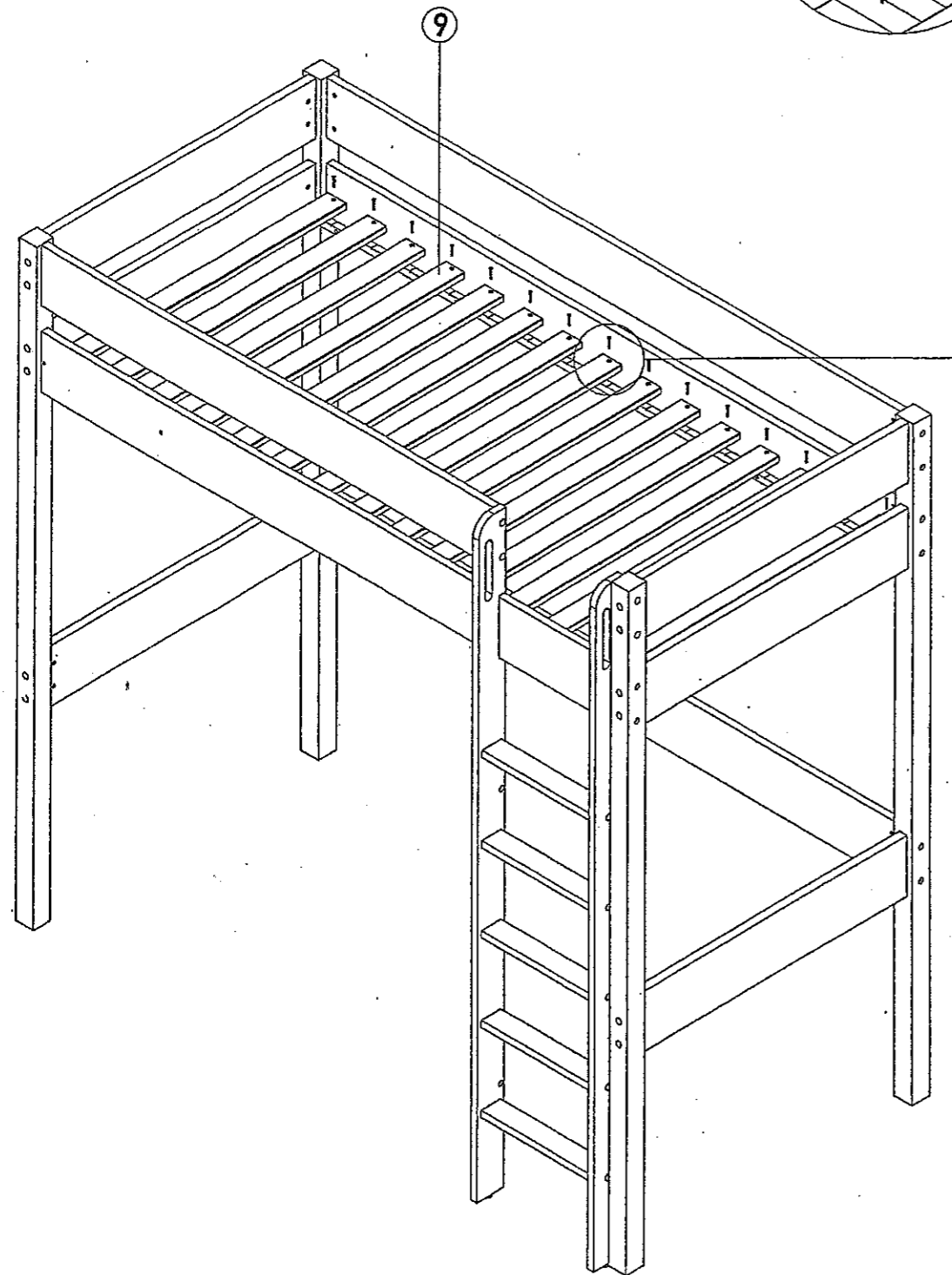
WARNING

- High beds and the upper bed of bunk beds are not suitable for children under six years due to the risk of injury from falls.
- Bunk beds and high beds can present a serious risk of injury from strangulation if not used correctly. Never attach or hang items to any part of the bunk bed that are not designed to be used with the bed, for example, but not limited to ropes, strings, cords, hooks, belts and bags.
- Children can become trapped between the bed and the wall, a roof pitch, the ceiling, adjoining pieces of furniture (e.g. cupboards) and the like. To avoid risk of serious injury the distance between the top safety barrier and the adjoining structure shall not exceed 75mm or shall be more than 230mm.
- Do not use the bunk bed / high bed if any structural part is broken or missing.
- Always follow the manufacturer's instructions.
- Prohibit horseplay on or under the bed. Always prohibit jumping on the bed.
- Prohibit more than one person on high bed and upper bunk.
- Always use the ladder for entering and leaving the high bed and upper bunk.
- Only use a mattress that is 1905mm (75") long and 915mm (36") wide on upper and lower bunk. The top of the mattress shall be at least 160mm (6-1/4") below the edge of the safety barriers.
- Ensure thickness of mattress below the mark that had been made at the entrance of upper bunk.
- Ensure that ventilation of the room is necessary in order to keep the humidity low and to prevent mould in and around the bed.
- All assembly fastenings should always be tightened properly and that care should be taken that no fittings are loose.
- Please note we supply caps to cover screws on some visible areas of the product to improve the visual look of the product. The use of these caps is entirely optional. Small components may cause a choking hazard and should be kept away from babies and small children.



STEP 8


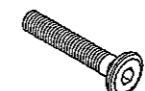
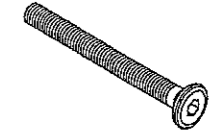
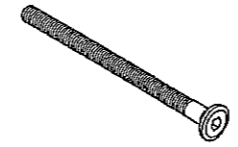




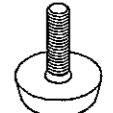



Attach (L) into all remaining visible screw holes found on all Post. Follow it up by attaching (K) into both sides of extra holes for Ladder on Side Rail (Front) and also attach (K) and (L) into both sides of idle holes on Ladder Post as shown on drawings. Go on to complete the entire assembly.



STEP 8

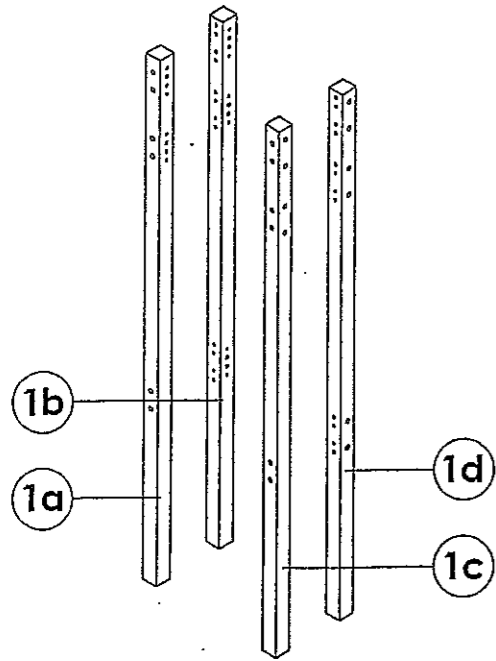
Attach and secure **Wooden Slat** onto both **Side Rail (L/R)** based on groove lines given by screwing **(H)** into pre-drilled holes by using a **Crosshead Screw Driver**.

HARDWARE LIST

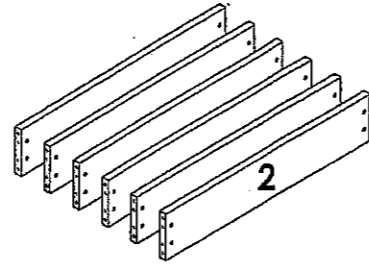
<p>A 64 PCS</p>  <p>PLASTIC DOWEL (M10 x 35MM)</p>	<p>B 2 PCS</p>  <p>JCBC BOLT (M6 x 35MM)</p>	<p>C 14 PCS</p>  <p>JCBC BOLT (M6 x 60MM)</p>
<p>D 42 PCS</p>  <p>JCBC BOLT (M6 x 90MM)</p>	<p>E 54 PCS</p>  <p>JRN NUT (M6 x 13MM)</p>	<p>F 2 PCS</p>  <p>JCN NUT (M6 x 12MM)</p>
<p>G 2 PCS</p>  <p>JCBC W SCREW (M7 x 40MM)</p>	<p>H 30 PCS</p>  <p>CSK C/B SCREW (M4 x 32MM)</p>	<p>J 2 PCS</p>  <p>BASE GLIDE L190 (M6 x 23MM)</p>
<p>K 6 PCS</p>  <p>C139 BUTTON CAP</p>	<p>L 62 PCS</p>  <p>HOLE PLUG (15MM)</p>	<p>M 2 PCS</p>  <p>ALLEN KEY (M4 x 60MM)</p>

Tools Required:
 Crosshead Screw Driver
 Rubber Hammer

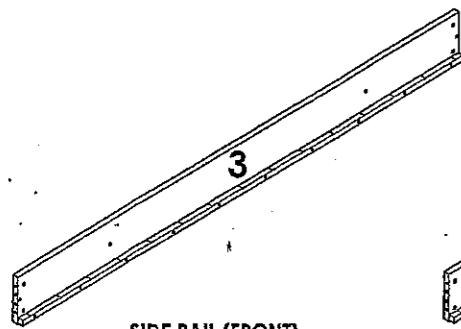
PART LIST



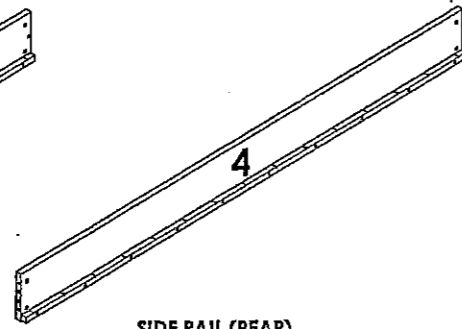
HEADBOARD POST
(4 PCS / SET)
CARTON 1 OF 3



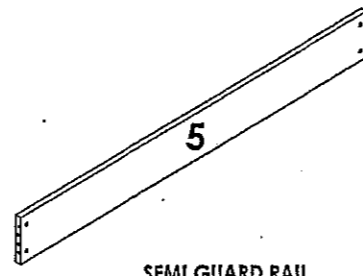
HEADBOARD PANEL
(6 PCS / SET)
CARTON 2 OF 3



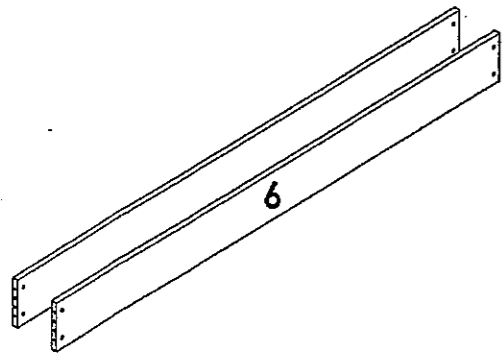
SIDE RAIL (FRONT)
(1 PC / SET)
CARTON 3 OF 3



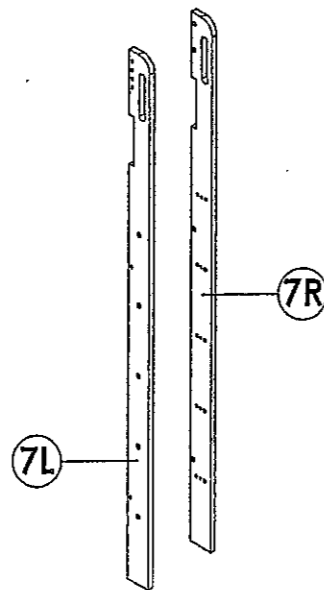
SIDE RAIL (REAR)
(1 PC / SET)
CARTON 3 OF 3



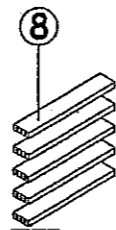
SEMI GUARD RAIL
(1 PC / SET)
CARTON 3 OF 3



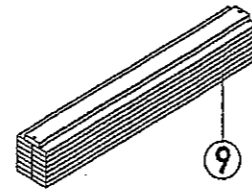
FULL GUARD RAIL
(2 PCS / SET)
CARTON 3 OF 3



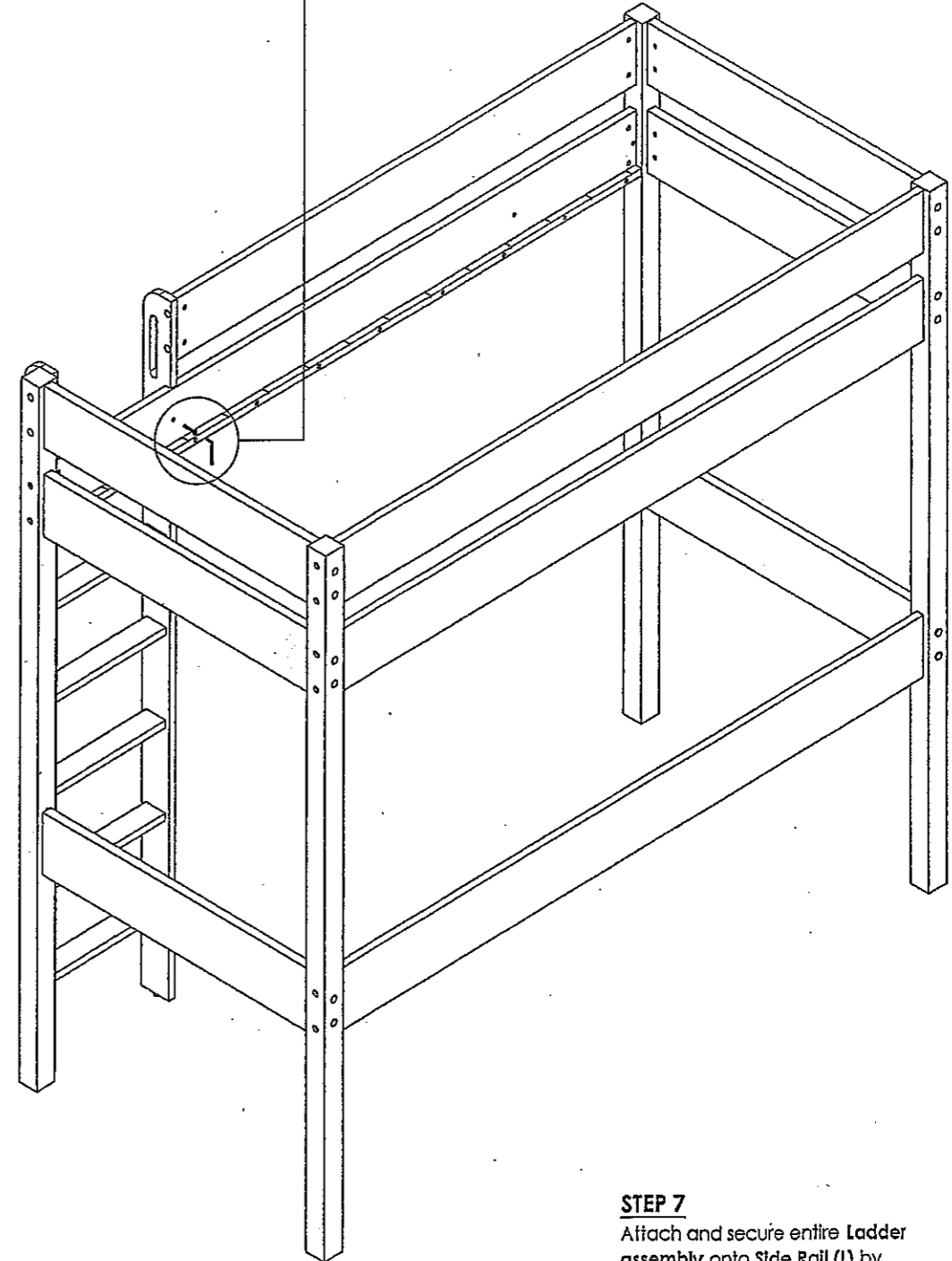
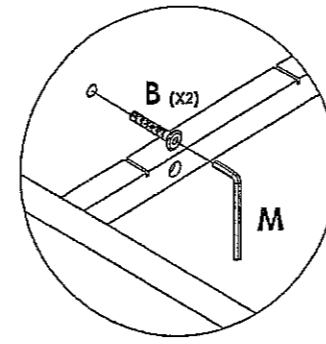
LADDER POST (L/R)
(2 PCS / SET)
CARTON 3 OF 3



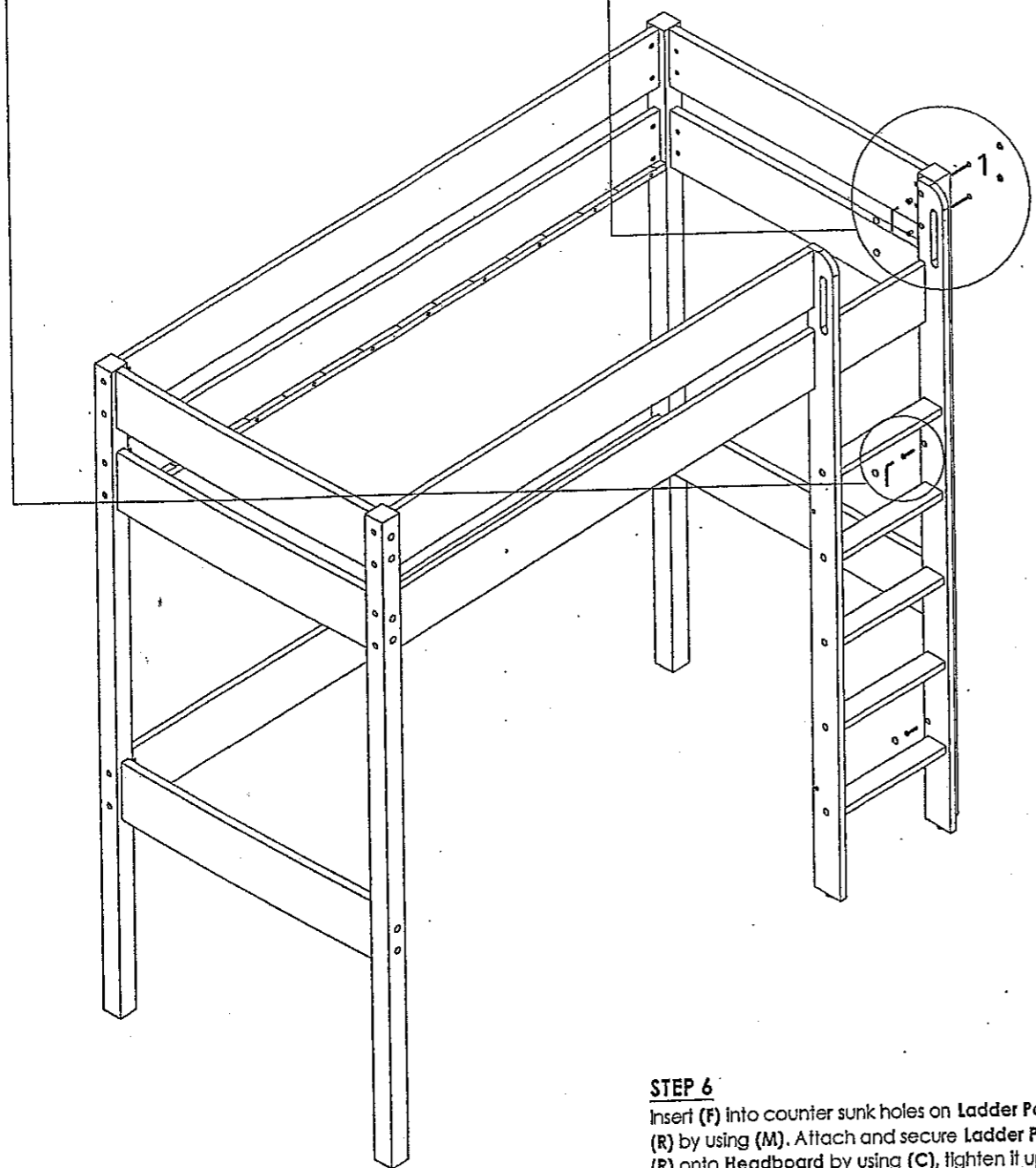
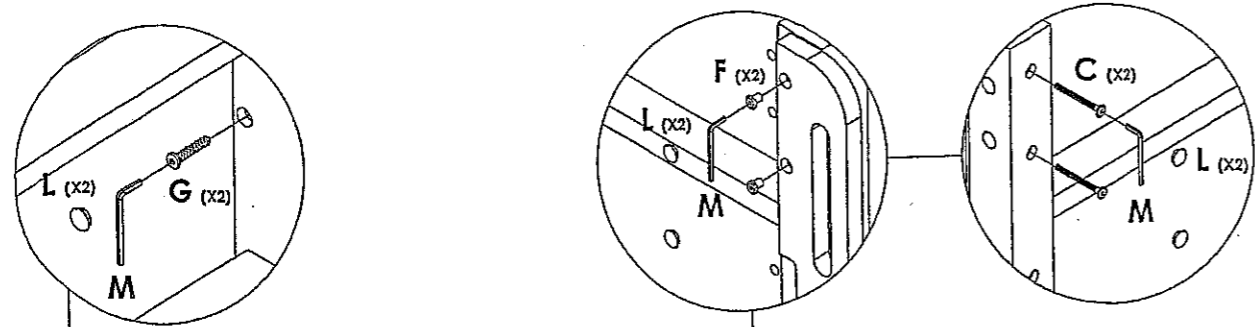
LADDER SLAT
(5 PCS / SET)
CARTON 3 OF 3



WOODEN SLAT
(15 PCS / SET)
CARTON 2 OF 3

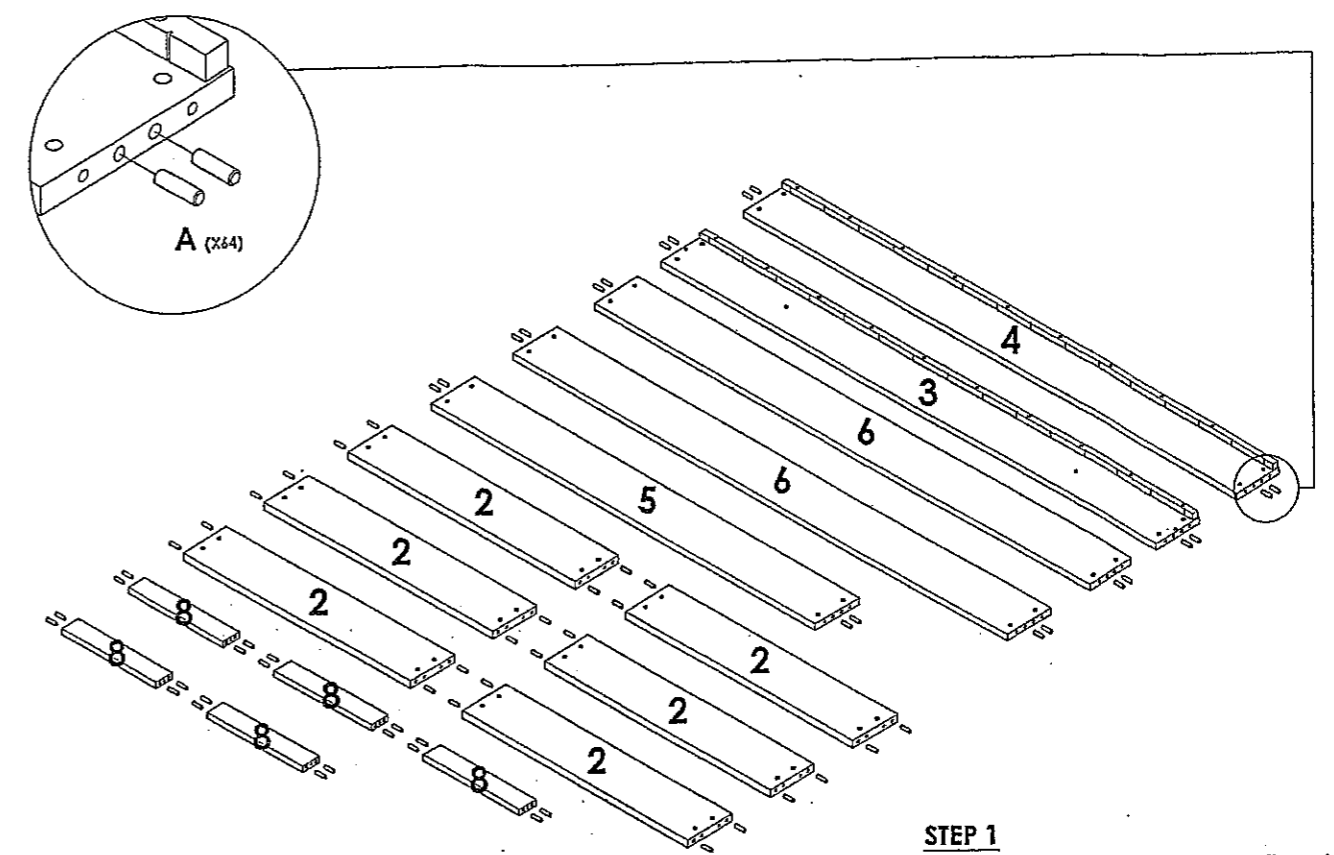


STEP 7
Attach and secure entire Ladder assembly onto Side Rail (1) by using (B), tighten it up by using (M).

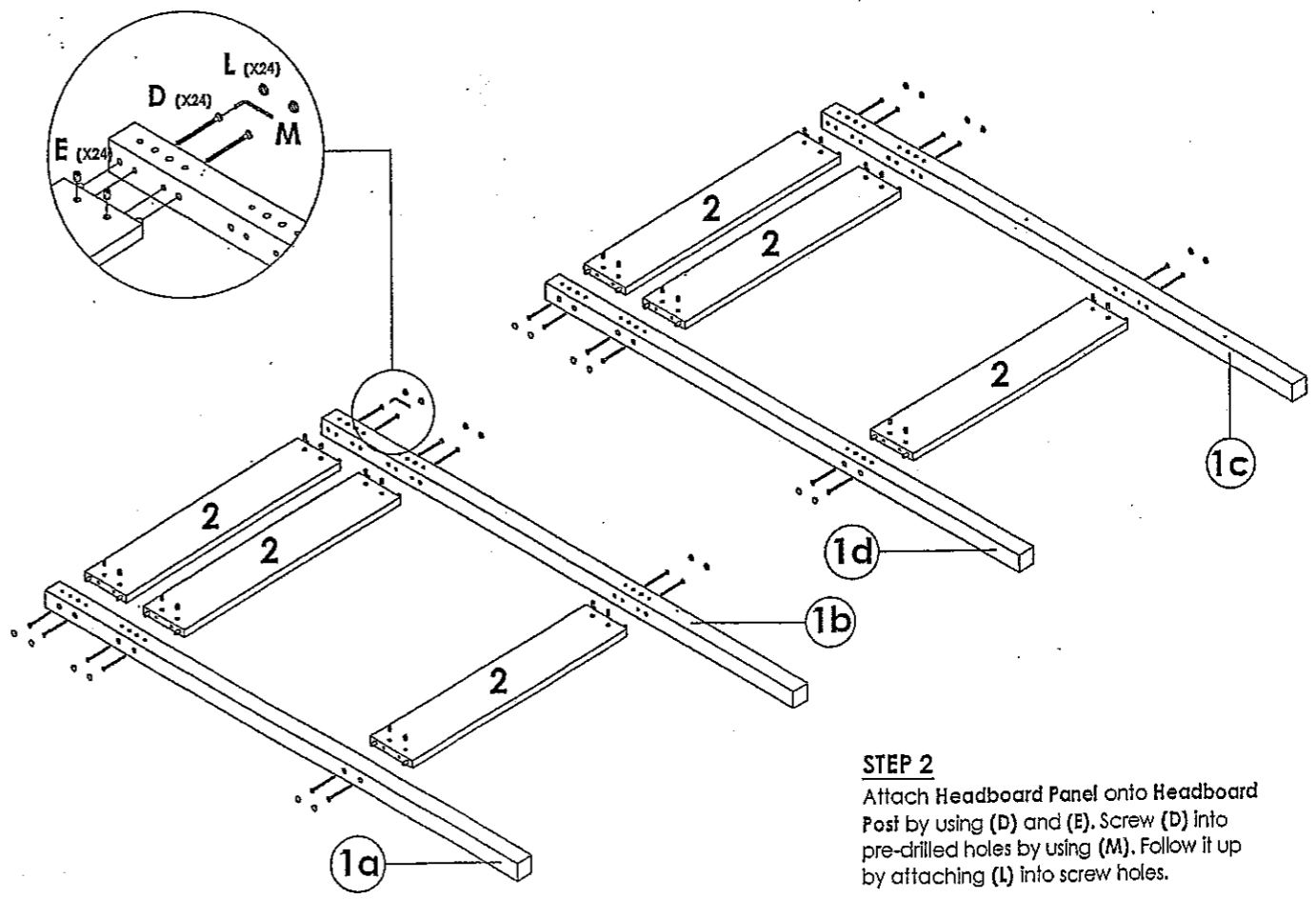


STEP 6
 Insert (F) into counter sunk holes on Ladder Post (R) by using (M). Attach and secure Ladder Post (R) onto Headboard by using (C), tighten it up by using (M). Follow it up by attaching (L) into all screw holes.

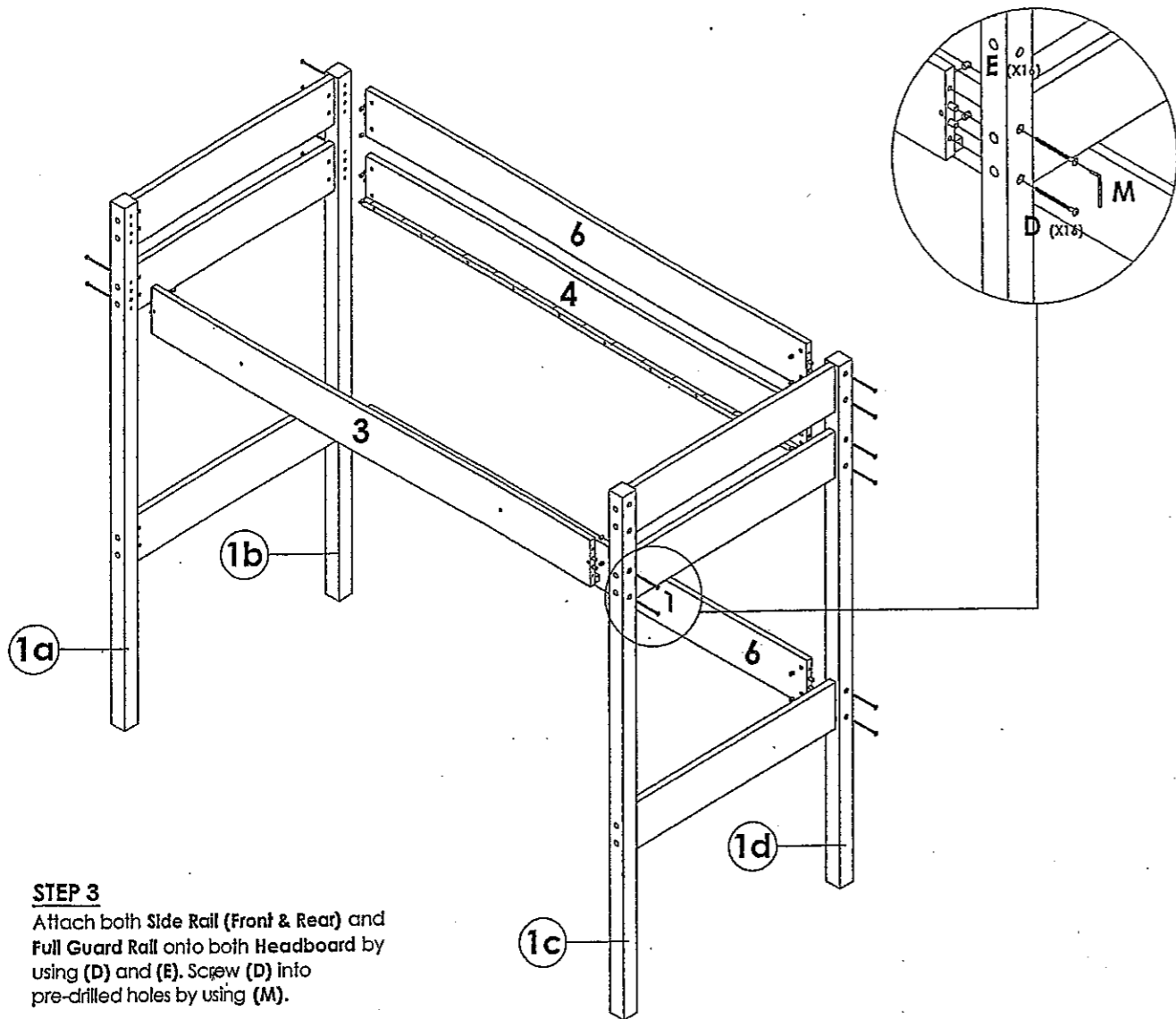
Complete this step by screwing in (G) into counter-sunk holes found on Ladder Post (R), tighten it up by using (M), follow it up by attaching (L) into both counter-sunk holes.



STEP 1
 Insert (A) into Ø10MM holes of Headboard Panel, Side Rail (Front & Rear), Semi Guard Rail, Full Guard Rail and Ladder Slat by using a Rubber Hammer.

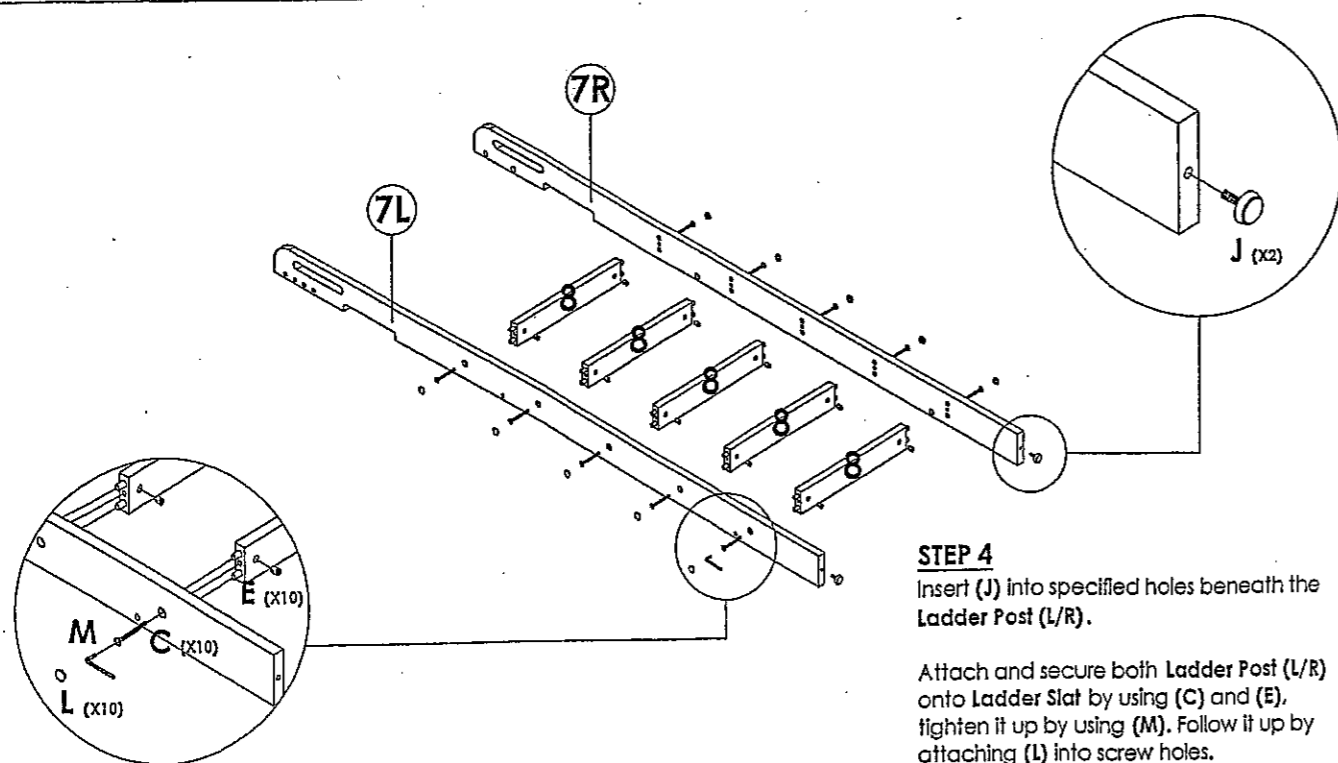


STEP 2
 Attach Headboard Panel onto Headboard Post by using (D) and (E). Screw (D) into pre-drilled holes by using (M). Follow it up by attaching (L) into screw holes.



STEP 3
 Attach both Side Rail (Front & Rear) and Full Guard Rail onto both Headboard by using (D) and (E). Screw (D) into pre-drilled holes by using (M).

* DO NOT tighten assembly up yet!

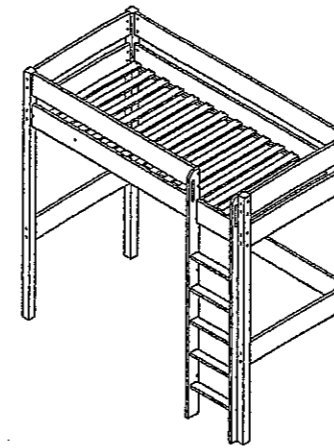


STEP 4
 Insert (J) into specified holes beneath the Ladder Post (L/R).

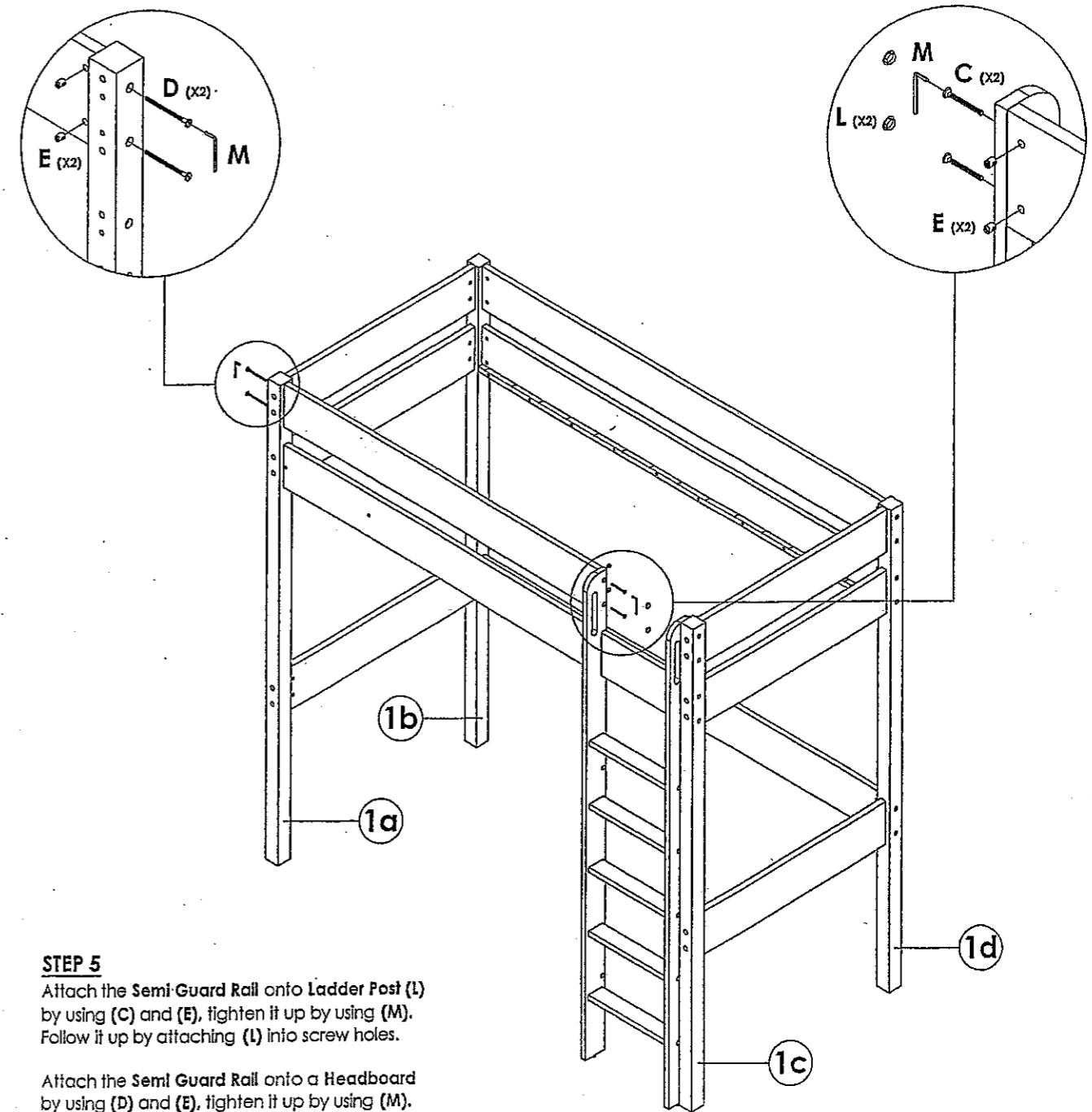
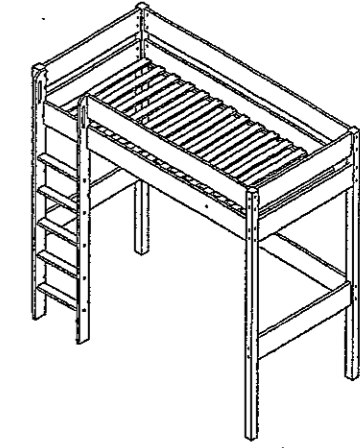
Attach and secure both Ladder Post (L/R) onto Ladder Slat by using (C) and (E), tighten it up by using (M). Follow it up by attaching (L) into screw holes.

The ladder of this bed is interchangeable.

Option 1



Option 2



STEP 5
 Attach the Semi-Guard Rail onto Ladder Post (L) by using (C) and (E), tighten it up by using (M). Follow it up by attaching (L) into screw holes.

Attach the Semi Guard Rail onto a Headboard by using (D) and (E), tighten it up by using (M).

* Fully tighten up all fittings from Step 3.